

The Fountainhead Group Compressed Air Sprayer

Owner's Manual
Models OML-1, RML-1, GGS-1, SML-1, SML-2

If you have any problems with, or have any questions about your sprayer,
RETURN IT TO THE STORE, CALL OUR TOLL FREE CUSTOMER SERVICE CENTER AT:

BEFORE YOU

1-800-311-9903

WARNING!

The sprayer is operated with liquid under pressure. Failure to observe CAUTION and to follow instructions for operating and cleaning can cause tank, hose and other parts to be weakened and/or rupture under pressure. This can result in SERIOUS INJURY from high pressure discharge of liquids or forcible ejection of parts. DO NOT USE FLAMMABLE MATERIALS IN THIS SPRAYER. Material could ignite or explode, causing serious injury. FOR SAFE USE OF THIS PRODUCT - YOU MUST READ AND FOLLOW ALL INSTRUCTIONS BEFORE USE. TEST SPRAYER WITH WATER BEFORE USING ANY CHEMICALS.

SAFETY PRECAUTIONS:

1. Read owner's manual completely before operating this sprayer.
2. This sprayer is designed for light duty lawn and garden use only.
3. Always use goggles, gloves and protective clothing when using sprayer.
4. Read and follow all instructions and cautions on label of products used in this sprayer.
5. Spray when air is calm to prevent drift of chemical.
6. Do not leave sprayer in the sun when not in use.
7. Never use flammable liquids, caustics, acids or hot water in this tank.
8. Never store chemicals in this tank.
9. Always release pressure when sprayer is not in use and before removing pump from tank.
10. Never stand with face or body over sprayer when pressurizing tank or releasing pressure.
11. Clean and rinse sprayer thoroughly after each use.
12. Never attempt to alter sprayer from original condition.
13. Always use replacement parts from original manufacturer.

IMPORTANT

HOSE ASSEMBLY INSTRUCTIONS

IMPORTANT



1. PUSH HOSE COMPLETELY ON.

2. TIGHTEN NUT COMPLETELY.

NEVER USE SPRAYER WITHOUT NUT.

ASSEMBLY INSTRUCTIONS

HOSE ASSEMBLY TO TANK:

IMPORTANT: Two identical hose nuts are included in the parts kit. Both hose nuts are required for proper assembly of the sprayer. Do not attempt to heat, or alter hose, hose nut, or barb prior to assembly.

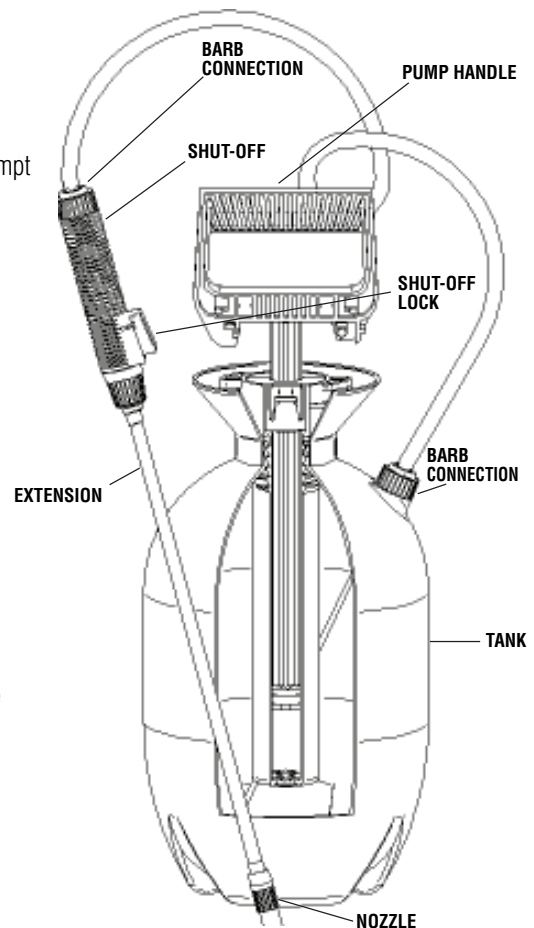
- 1.** Slide hose nut over end of hose (observe proper hose nut orientation in above diagram). Push hose completely onto tank barb, as shown in step #1 of above diagram.
- 2.** Slide hose nut along hose and over barb threads. Turn hose nut clockwise to completely tighten over hose, as shown in step #2 of above diagram (do not use tools).

HOSE ASSEMBLY TO SHUT-OFF:

Repeat steps #1 and #2 above, while connecting hose to barb of shut-off.

IMPORTANT:

- 1.** It is recommended to test sprayer using plain tap water before spraying chemicals. Test all connections for possible leaks. Use proper eye protection while testing. If sprayer does not pass the water test, call our customer service center before using sprayer with chemicals.
- 2.** Make sure hose is not cracked or frayed and does not show signs of swelling. Make sure the hose is securely connected to sprayer.



OPERATING INSTRUCTIONS ARE CONTINUED ON NEXT PAGE

E-mail: Info@TheFGI.com • Web site: www.TheFountainheadGroup.com

OPERATING INSTRUCTIONS

IMPORTANT! Always ensure pressure is released from tank before filling or servicing. To release pressure, press button on shut-off until the unit stops spraying. Then, and only then, it is safe to remove pump.

- 1.** Remove pump by turning pump handle counterclockwise.
- 2.** Fill tank to desired level (always refer to chemical manufacturer for proper mixture)
- 3.** Place pump into tank opening and turn handle clockwise to tighten.

PRESSURIZING:

- 1.** Make sure shut-off lock is not engaged (if shut-off lock is engaged while pressurizing, the unit will immediately start spraying)
- 2.** Pressurize sprayer by pumping handle in a smooth up and down motion. When desired pressure is achieved, lock handle onto pump.

SPRAYING:

- 1.** Point nozzle away from you. Press shut-off button to begin spraying. Release button to stop spraying. When using adjustable nozzle, adjust spray pattern by turning nozzle tip. (Note: Flat fan nozzle is not adjustable).
- 2.** For continuous spraying, push lock onto shut-off button.

FINISH:

- 1.** Direct nozzle away from you and press button on shut-off until unit stops spraying (this will release pressure in tank).
- 2.** Turn pump handle counterclockwise to remove pump.

CLEANING SPRAYER

- 1.** Remove pump as described in **finish** section.
- 2.** Fill tank with tap water. Replace pump and turn clockwise to tighten. Agitate tank to rinse chemical off tank wall and pump.
- 3.** Remove pump and empty contents into gravel or bare soil.
- 4.** Refill tank with tap water.
- 5.** Check to be sure pump is free of debris and place pump into tank. Turn handle clockwise to tighten pump.
- 6.** Pressurize tank. Follow all instructions in **pressurize section**.
- 7.** Point nozzle away from you and spray for approximately 30 seconds to clean hose and shut-off.
- 8.** Release pressure as outlined in **operating** and **finish sections**. Empty contents as in step 3.
- 9.** Repeat steps 4 thru 8 until thoroughly cleaned. Note: It is best to keep 2 sprayers: One for herbicides and one for other products, such as fertilizers or insecticides.

SPRAYER MAINTENANCE

- 1.** Pump should be periodically oiled by dropping 10 to 12 drops of light oil down pump rod through opening in cover.
- 2.** If nozzle clogs: remove nozzle assembly, disassemble nozzle and clean openings of any obstructions.
- 3.** Never use any tool to remove pump if there is pressure in sprayer.

SPRAYER STORAGE

- 1.** Sprayer tank should be hung upside down, with pump removed, in a warm dry location.
- 2.** Do not store or leave any solution in tank after use.
- 3.** Store in a warm dry location out of direct sunlight.
- 4.** **KEEP SPRAYER OUT OF REACH OF CHILDREN.**

KEY NO.	PART #	DESCRIPTION	KEY NO.	PART #	DESCRIPTION	KEY NO.	PART #	DESCRIPTION
1	171015	Check Valve	6	180425	1 Gallon Tank-Natural	11	178363	Extension Curved
2	171653	Nozzle Cap	6	180477	2 Gallon Tank-Yellow	12	180332	Parts Kit
3	178354	Shut-off Assembly	7	180299	Pump Gasket	13	1783541	Hose / Shut-off Nut
4	180284	Fan Nozzle	8	180300	O-Ring, Pump	14	1785096	O-Ring, Nozzle End
5	180287	Parts / Instructions	9	180305	Pump Assembly	15	1785097	O-Ring, Base End
6	180426	1 Gallon Tank-Yellow	10	180308	Hose 32"			

If you have any problems with, or have any questions about your sprayer, **BEFORE YOU RETURN IT TO THE STORE, CALL OUR TOLL FREE CUSTOMER SERVICE CENTER AT:**

1-800-311-9903

PARTS & ACCESSORIES

To order any parts below, simply state quantity in left hand column, fill in bottom portion, and send to address on reverse side e

QTY.	PART #	DESCRIPTION	COST	TOTAL	QTY.	PART #	DESCRIPTION	COST	TOTAL
	171015	Check Valve	\$1.23			180300	O-Ring, Pump	\$1.01	
	171653	Nozzle Cap	\$1.50			180305	Pump Assembly	\$10.00	
	178354	Shut-off Assembly	\$2.50			180308	Hose 32"	\$3.95	
	180284	Fan Nozzle	\$1.75			178363	Extension	\$3.40	
	180287	Parts / Instructions	N/C			180332	Parts Kit	\$6.09	
	180426	1 Gallon Tank-Yellow	\$11.50			1783541	Hose Nut	\$1.55	
	180425	1 Gallon Tank-Natural	\$11.50			1785096	O-Ring, Nozzle End	\$1.01	
	180477	2 Gallon Tank-Yellow	\$12.50			1785097	O-Ring, Base End	\$1.01	
	180299	Pump Gasket	\$1.25						

180332 PARTS KIT CONTAINS

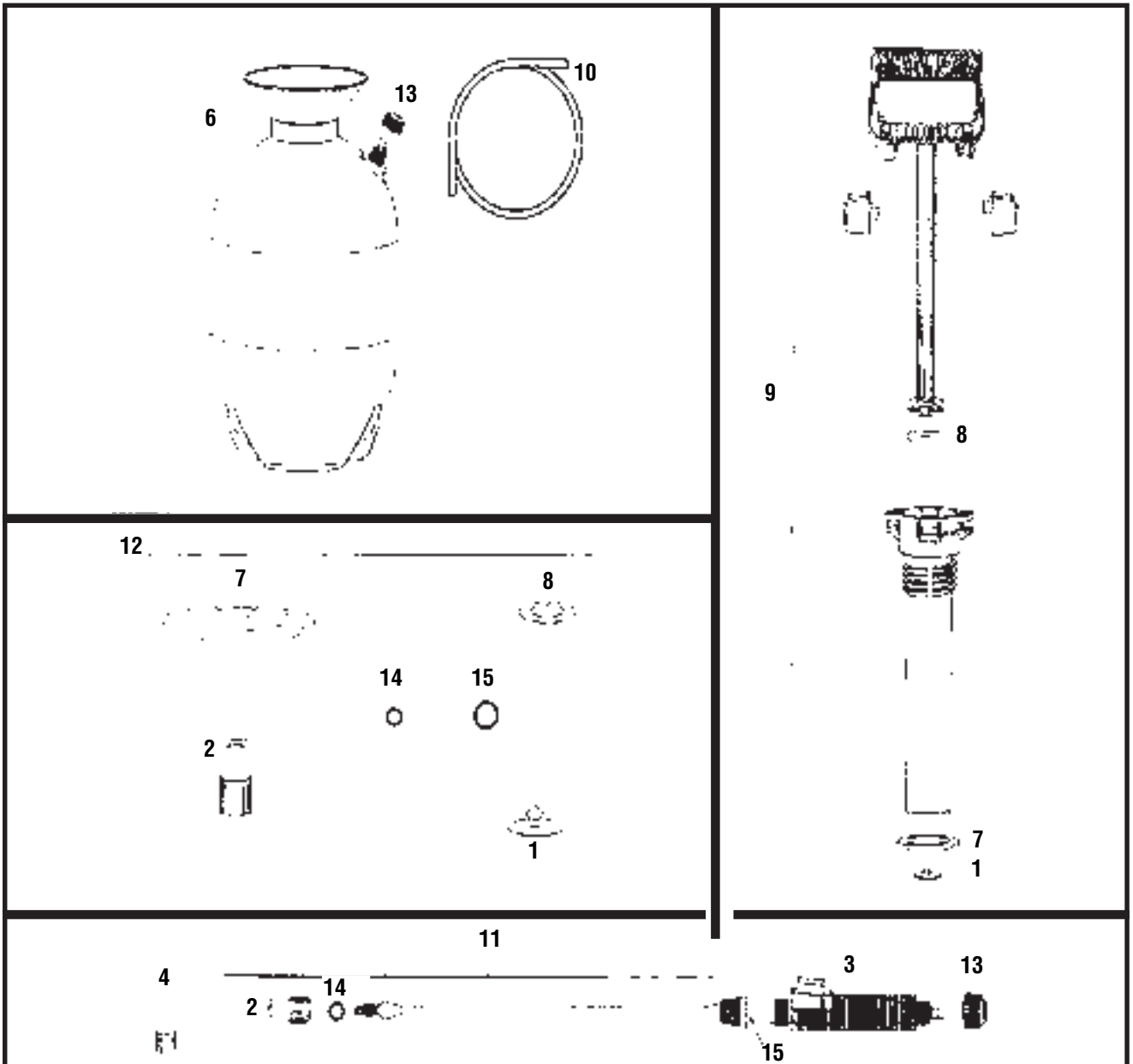
PART #	DESCRIPTION	KEY NO.	PART #	DESCRIPTION	KEY NO.
171015	Check Valve	1	180300	O-Ring, Pump	8
171653	Nozzle Cap	2	1785096	O-Ring, Nozzle End	14
180299	Pump Gasket	7	1785097	O-Ring, Base End	15

COST	
SUBTOTAL	
8% TAX (NY ONLY)	
SHIPPING & HANDLING	\$3.00
GRAND TOTAL	

ASSEMBLY & REPAIR PARTS

Please Refer To The Parts List On Bottom Of Previous Page

CUT ON DOTTED LINE



If you have any problems with, or have any questions about your sprayer, **BEFORE YOU RETURN IT TO THE STORE, CALL OUR TOLL FREE CUSTOMER SERVICE CENTER AT:**

1-800-311-9903

